



## ECOPORE Premium Cartridges

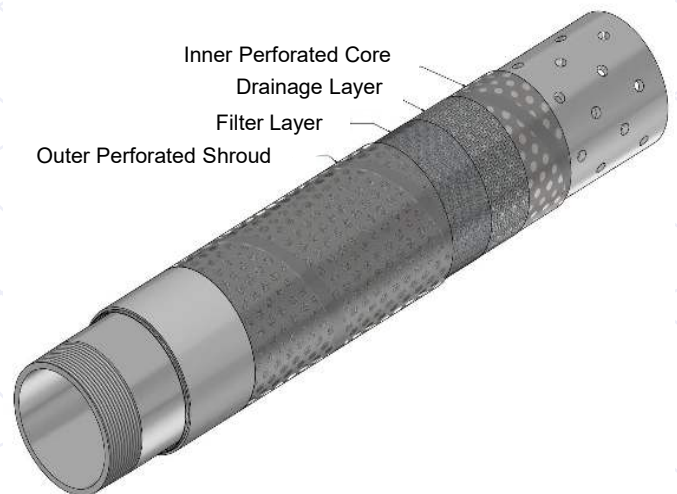
PMF's **ECOPORE** offers a cost-effective, single filter layer, non-sintered sand control screen cartridge complete with outer and inner shrouds.

**ECOPORE** cartridges are fit for purpose in standalone or gravel pack applications, as well as in open-hole and cased-hole environments. PMF's optimal screen designs are critical in meeting your specific application and well conditions.

### FEATURES AND BENEFITS:

- Non-sintered single filtration layer design provides filtration and flow advantages over designs with multiple filtration layers
- Non welded design with mesh secured between the 2 shrouds assures the integrity of the mesh
- The integrated shroud allows the cartridge to be welded directly to the pipe saving time and money
- Multiple weave options for superior filtration performance with micron ratings from 60µm to 800µm
- Optional convergence and drainage layers
- Filter media available in 304L SS, 316L SS, Alloy 625, Alloy 825 and Alloy 20

Base Pipe Size (inches)	Screen ID (inches)	Screen OD (inches)
3.5	3.6	3.95
4	4.1	4.45
4.5	4.6	4.95
5	5.1	5.45
5.5	5.6	5.95



**Porous Metal Filters Inc.**  
 19994 Hickory Twig Way Spring TX 77388  
 Toll Free: 866-288-2522 Tel: 281-719-1352 Fax: 281-719-1351  
[www.pmfilter.net](http://www.pmfilter.net)      [sales@pmfilter.net](mailto:sales@pmfilter.net)

